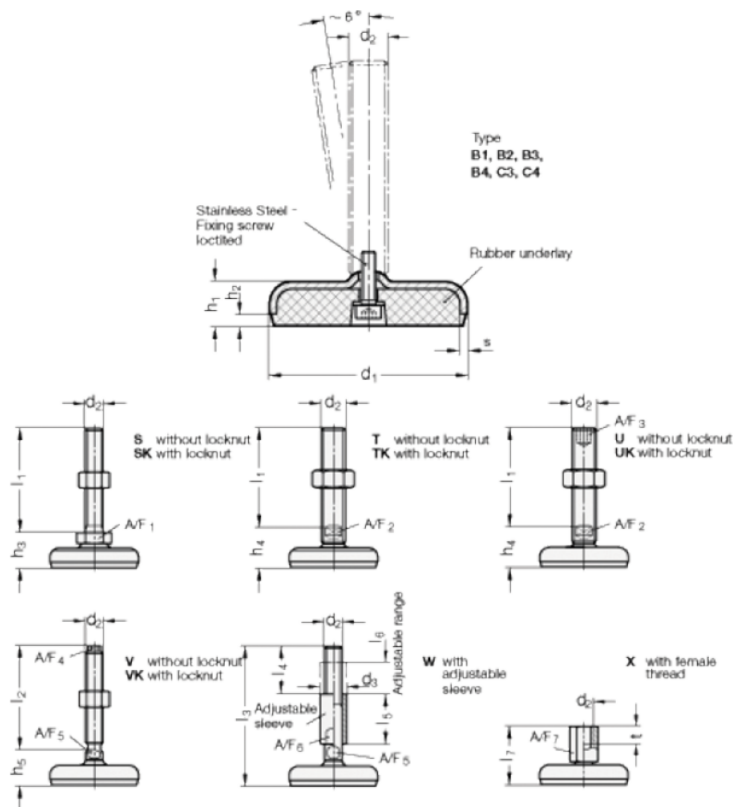


Article number: 203150M16125B2TK  
 Description: E+G levelling foot  
 GN 31-50-M16-125-B2-TK  
 Note: TK With nut, Wrench flat at the bottom

## Measures



A/F2	= 12
d1	= 50
d2	= 16
h1	= 16
h2	= 3.5
h4 +4.0/0	= 29
l2	= 125
s	= 3